



**V-type Phantom  
Powered 48V  
Conference Microphone  
User Manual**

**TS-340VL**

**TS-340VD**

**Before using this product, please read this manual carefully**

## **Preface**

Thank you for choosing the V-type phantom powered 48V conference microphone.

Please read this manual carefully before use.

V-type base is cast in zinc alloy. The inner cavity is equipped with a 48V phantom power supply to 4.1-4.1V DC output circuit.

Any one of the transduction methods provided by the manufacturer can be arbitrarily selected as an electret condenser microphone, such as square tube microphones, sound collecting interference tubes, goosenecks, etc.

A good signal-to-noise ratio amplifier circuit can make the low-gain sensor have a high output resistance to mobile phone, electromagnetic and high-frequency interference.

Because the connected shielded wire power supply and audio output are shared, this V-type conference microphone base only uses mixer.

Due to the continuous upgrading of the appearance and function of this product, please refer to the actual product for details. The final interpretation right of this product manual belongs to the manufacturer.

## I. Product description

The microphone features solid structure, stable performance, simple operation, good pickup effect, and perfect presentation of the sound quality. It can be used in high-end conference rooms, etc.

## II. Effect diagram

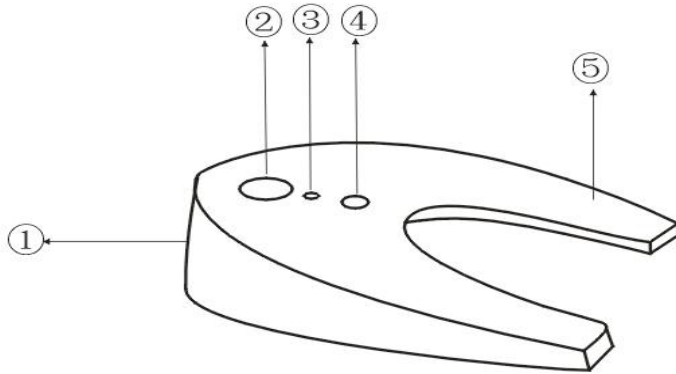
TS-340VL gooseneck microphone rendering:



TS-340VD microphone with square pole rendering:

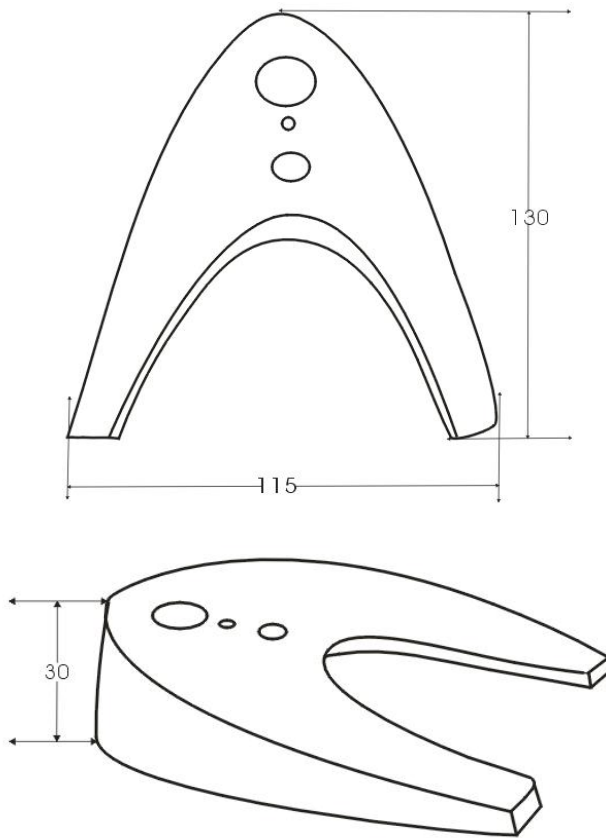


### III. Function introduction



- ① 48V phantom power connection cable port (6 meters shielded cable, one big three-core Canon head to the mixer).
- ② 5-core aviation plug.
- ③ LED power indicator.
- ④ Power switch.
- ⑤ V-type zinc alloy base.

#### IV. Dimension diagram (base)



## V. Specification

Model	TS-340VL
Input power	48V phantom power supply, only connected to the mixer (6M shielded cable, XLR interface)
Input power	48V phantom power supply, only connected to the mixer
Output voltage	DC 4.1-4.2V
Mic type	Electret condenser microphone
Directivity	Cardioid polar pattern
Sensitivity	-36±1.5dB (0dB=1V/Pa,at 1KHz)
Output impedance	2.2kΩ±30%@1khz Test conditions: 1.5V, 2.2kΩ
Frequency response	80Hz-16kHz
Equivalent noise level	35dB(A)/20u Pa
THD	1%
SNR	65 dB
Characteristic	Anti-mobile phone, electromagnetic, high frequency interference
Microphone pole	409mm gooseneck microphone pole
Working temperature	-10°C--+40°C
Base size (L×W×H)	115×132×31mm
Weight	1kg (excluding 6m shielded cable)

<b>Model</b>	<b>TS-340VD</b>
Input power	48V phantom power supply, only connected to the mixer (6m shielded cable, XLR interface )
Output voltage	DC 4.1-4.2V
Mic type	Electret condenser microphone
Directivity	Cardioid polar pattern
Sensitivity	-36±1.5dB (0dB=1V/Pa, at 1KHz)
Output impedance	2.2kΩ±30%@1khz Test conditions: 1.5V, 2.2kΩ
Frequency response	80Hz-16kHz
Equivalent noise level	35dB(A)/20u Pa
THD	1%
SNR	65 dB
Characteristic	Anti-mobile phone, electromagnetic, high frequency interference
Microphone pole	240mm square microphone pole
Working temperature	-10°C -+40°C
Base size (L×W×H)	115×132×31mm
Weight	1kg (excluding 6m shielded cable )

## VI. Maintenance and precautions

Fault phenomenon	Fault cause
Power LED light has no indication	Check whether the line is broken
The microphone used has no signal display	Check whether the 5-pin aviation plug is in good contact
Audio signal distortion	Try another microphone
Audio signal has too much background noise	Replace

**Maintenance:** If the fault is not included in the above table, do not disassemble and repair it by yourself, please contact the local dealer or manufacturer, we will provide service in time.

**Use and storage:** Do not use or store this machine in environments such as high humidity, strong electromagnetic fields, strong direct sunlight, and high temperatures.

**Cleaning:** Before cleaning, unplug the power plug on the mixer and clean with a damp cloth. Do not use any cleaning agents or dissolving liquids, which will damage the surface finish.

**Accessories:** Please use the microphone provided by the manufacturer for best performance.

**Warranty:** This machine does not contain modifiable parts, please do not disassemble and modify it by yourself, otherwise the warranty rights will be invalid.